



Scan the QR code to discover more & receive a quotation!

**VebaBox**  
Cold Chain Innovators

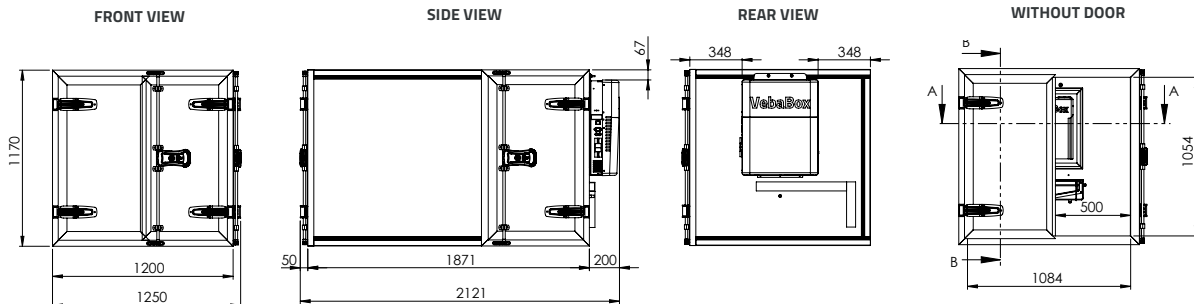
## STANDARD LINE MODEL G FREEZE

### SPECIFICATIONS

Box volume	2055 liters
External dimensions (wxhxd)	1250 x 1170 x 2121 mm
Inside dimensions (wxhxd)	1094 x 1064 x 1631 mm*
Nett. weight	169 kg
Temperature setting range	-10°C to +25°C
Ambient temperature	-20°C to +30°C
Equipped with Thermal Unit	TUF1005
Power source, max. power draw @ 12V	50 A @ 12V
Power source, max. current @ 110~230V AC (50/60Hz)	3.6 A @ 230V
Wall thickness	50 mm

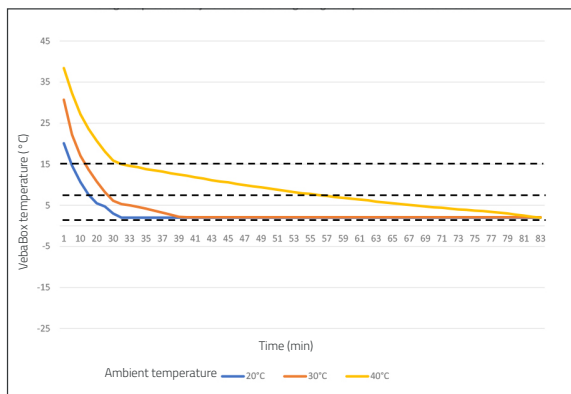
This VebaBox is fitted as standard with a Side door. A VebaBox includes: Thermal unit, installation set, 12V Power cable and 110 / 230V shore power connection.  
\* Dimensions until thermal unit.

### DIMENSIONS IN MM



### COOLING AND HEATING PERFORMANCES

Cooling performance at different ambient temperatures Model G Freeze



Heating performance at ambient temperature Model G Freeze

