



Side door

Scan the QR code to discover more & receive a quotation!

VebaBox
Cold Chain Innovators

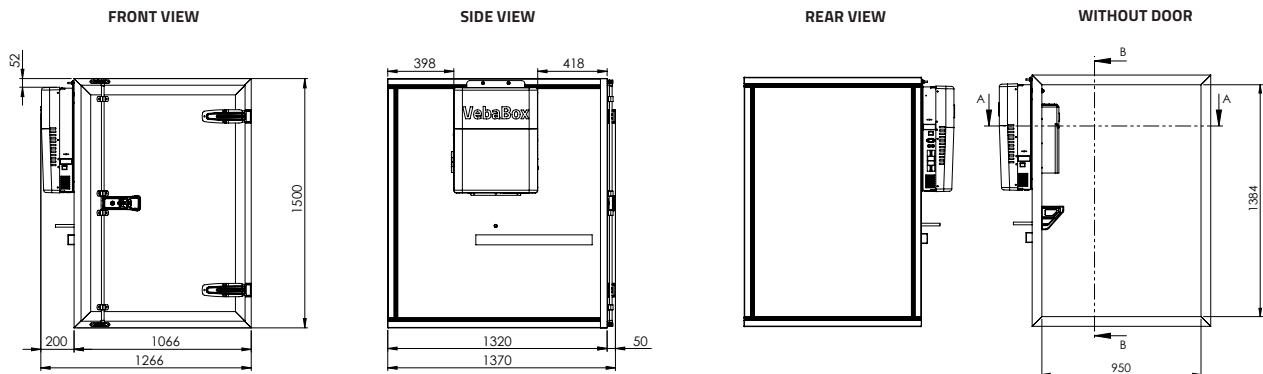
STANDARD LINE MODEL N FREEZE

SPECIFICATIONS

Box volume	1700 liters
External dimensions (wxhxd)	1266 x 1500 x 1370 mm
Inside dimensions (wxhxd)	854 x 1394 x 1204 mm*
Nett. weight	143 kg
Temperature setting range	-10°C to +25°C
Ambient temperature	-20°C to +30°C
Equipped with Thermal Unit	TUF1005
Power source, max. power draw @ 12V	50 A @ 12V
Power source, max. current @ 110~230V AC (50/60Hz)	3.6 A @ 230V
Wall thickness	50 mm

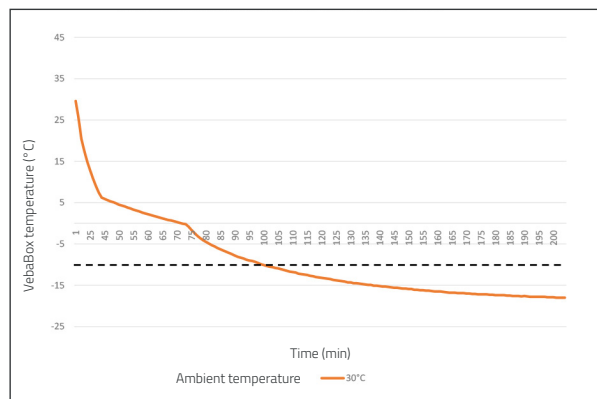
A VebaBox includes: Thermal unit, installation set, 12V Power cable and 110 / 230V shore power connection.
* Dimensions until thermal unit.

DIMENSIONS IN MM



COOLING AND HEATING PERFORMANCES

Cooling performance at different ambient temperatures Model N Freeze



Heating performance at ambient temperature Model N Freeze

