



Scan the QR code to discover more & receive a quotation!

VebaBox
Cold Chain Innovators

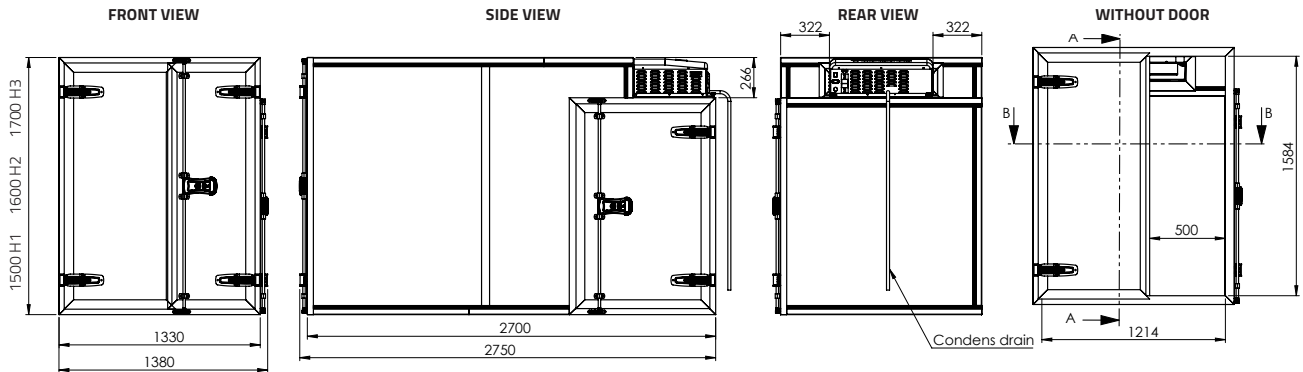
STANDARD LINE MODEL R COOL

SPECIFICATIONS

	Width	H1	H2	H3	Depth
Box volume (in L)		4250	4566	4885	
External dimensions (wxhxd, in mm)	1380	1500	1600	1700	2750
Inside dimensions (wxhxd, in mm)*	1224	1394	1494	1594	2594
Nett. weight		229 kg	239 kg	249 kg	
Temperature setting range	2°C to 25°C				
Ambient temperature	-20°C to +40°C				
Equipped with Thermal Unit	TUC6000				
Power source, max. power draw @ 12V	80 A @12V				
Power source, max. current @ 110~230V AC (50/60Hz)	7.8 A @ 230V				
Wall thickness	50 mm				

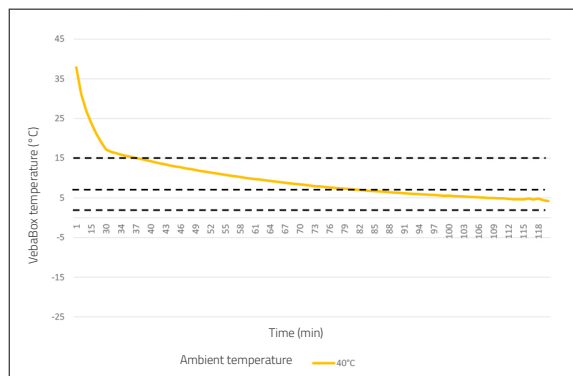
This VebaBox is fitted as standard with a Side door and ALU floor. A VebaBox includes: Thermal unit, installation set, 12V Power cable and 110 / 230V shore power connection.
* Dimensions until thermal unit.

DIMENSIONS IN MM



COOLING AND HEATING PERFORMANCES

Cooling performance at ambient temperature Model R Cool



Heating performance at ambient temperature Model R Cool

